

J.P schools of Animation offers quick, short-term courses to students & working professionals who wish to sharpen their skills in one or more tools or software.

Course Highlights

- Sharpen your skills in the latest animation/multimedia software/ tools quickly
- Industry-relevant curriculum
- Work with high-end studio infrastructure

J.P Short Term Courses

J.P offers a wide range of career-oriented courses in 3D animation, VFX, multimedia, graphic & web designing and media & entertainment. Work with software like Adobe Photoshop™, Adobe After Effects™, Adobe Premiere™, Autodesk Maya™, Eye on Fusion™, Apple Final Cut Pro™, Match Mover & more!

1. Advanced Compositing in NUKE, Mocha & Silhouette

High-end VFX compositing & stereoscopic pipeline





Nuke is used in movies such as Inception, Avatar, Eclipse, Alice in Wonderland, 2012, 127 Hours & more.

The course covers the entire process of high-end VFX compositing & stereoscopic pipeline using software like NUKE, Mocha & Silhouette

[Join Advanced Compositing in NUKE, Mocha & Silhouette](#)

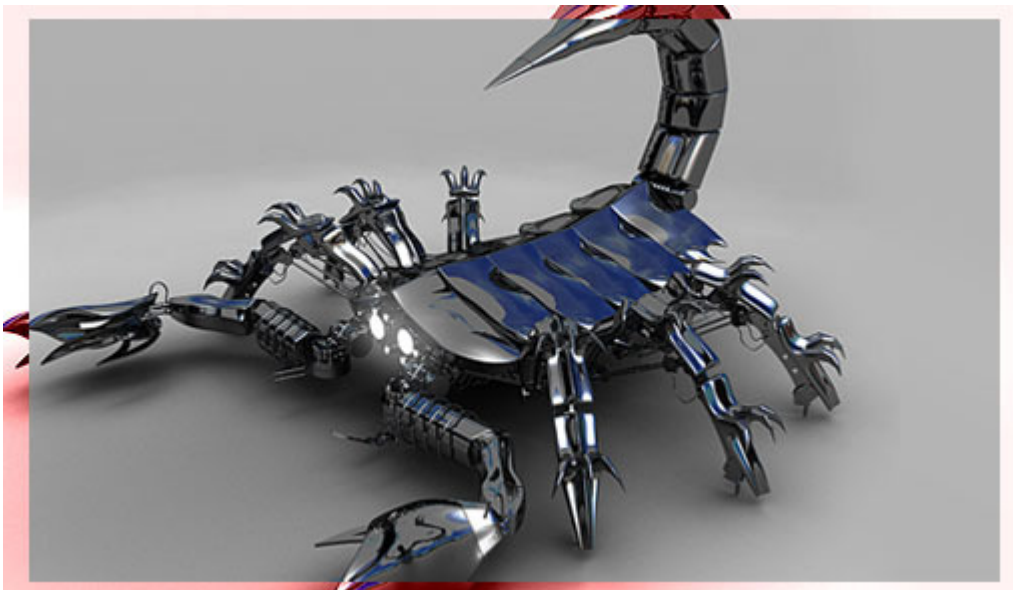
Course duration: **6 Months**

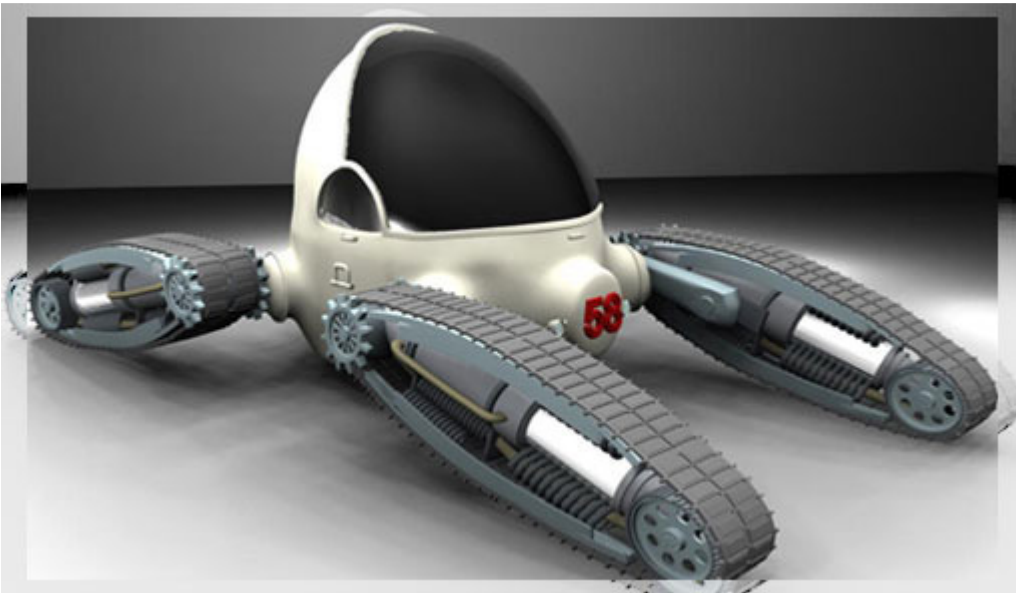


- Live Action Compositing
- Stereoscopic Pipeline
- Rotoscopy
- 3D Camera Projection
- 3D Camera Tracking
- Planar Tracking

2. MAX Pro

Focus on software Autodesk 3ds Max™.





Max PRO focuses on the software Autodesk 3ds Max™. The course trains students in Modeling, Shading, Lighting, Particle Dynamics & Animation using Autodesk 3ds Max™.

Course duration: **6 Months**

[Course Covers](#)

- Introduction to 3D World
- 3D Design and Modeling
- Character Animation
- Lighting



- Introduction to 3D World
- 3D Design and Modeling
- Character Animation
- Lighting

3. CEPRO

Focus on the post-production process including Compositing & Editing

CEPRO focuses on the post-production process including Compositing & Editing. Students get an insight into techniques like compositing, match-moving, matte painting & editing.

The course covers software like Adobe Photoshop™, Adobe After Effects™, Adobe Premiere™, Eyeon Fusion™ & Final Cut Pro™

Course duration: **6 Months**

[Course Covers](#)



- Digital Design
- Layer Based Compositing
- Node Based Compositing
- Match Moving

- Camera Tracking
- Editing

4. DP

Certificate Program in Digital Photography

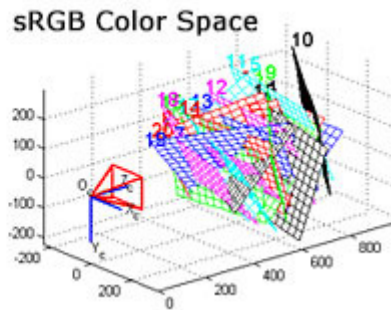
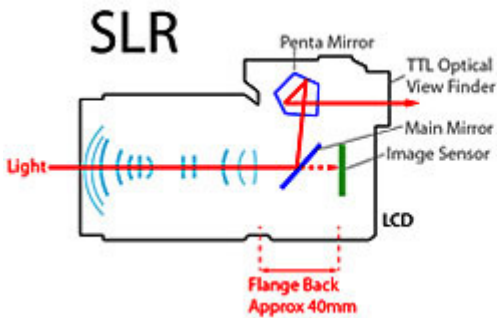




A knowledge-intensive certificate course in Digital Photography for photography enthusiasts, the course explores basic to advanced topics in digital photography for wildlife, still-life, fashion, wedding and portrait photography.

Course duration: **6 Months**

[Course Covers](#)



- Principles of Photography
- Exposure
- Concept of Aperture and Shutter Speed
- Auto & Manual Focus
- Outdoor Photography
- Portrait & Product Photography
- Fundamentals of Photo Editing
- Studio Lighting Techniques

Modular Courses

This programme helps to all those students or professionals who already done Animation & VFX Programme but not meeting the present requirement of industry. To get into the industry this programme provides advance training with advance technology.

Students will work on various case studies from various films to understand the Ins and Outs VFX creation from various iconic films. This establishes a level of confidence among the students to face the latest challenges of industry.





J.P offers Modular programs for students & professionals who wish to upgrade their skills in specific areas of Animation & Visual Effects. People can pick one or more software of their choice & complete the course in a very short period of time.

[Software taught](#)



- Adobe Photoshop
- Adobe After Effects
- Final Cut Pro
- Adobe Premiere

Stream	Category	Course	Software/Tools
Editing/VFX	Compositing & Effects	Broadcast Editing	Final Cut Pro6 Adobe premiere pro Showreel
VFX		Visual Effect - NUKE	NUKE Showreel
		Visual Effects - After Effects	Adobe After Effects
VFX		VFX Roto	Introduction Arranging the nodes Keying Color Correction Tracking & Stabilizing 3D in Fusion1 Basics of Rotoscopy Practical Assignments
		Working with Audio	Sound Forge
		Video Streaming & Editing Audio-Video Editing	Sound Forge Adobe Premiere Pro

Web Design		Web Graphics	Fundamentals of Computer
			Multimedia & Internet
			Adobe Photoshop Extended

Design	Design	Image Magic	Adobe Photoshop Extended
	Drawing/Design	Creating Illustrations - I	Adobe Illustrator
		Creating Illustrations - II	CorelDraw
Design		Print & Publishing	Adobe Illustrator CorelDraw Adobe Photoshop Extended
	Graphics & Animation	Digital Graphics & Animation	Fundamentals of Computer Multimedia & Internet Adobe Illustrator CorelDraw Adobe Photoshop Extended

Animation	Animation 3D	Basics of 3D Animation Advanced 3D Animation with MAYA	3DS MAX
------------------	---------------------	---	----------------